



PROJECT		REF		REV	ITEM CODE	
LOCATION		DATE			PAGE	

SANITARY WARE SPECIFICATION SHEET

Item Descriptions	GROHE (Germany) "GrohFlex Essence" Chrome Plated dual function thermostatic trim with control shower mixer
Dimensions	L185 x H170 x W119 mm
Model	19988XX1 (Thermostat mixer) 35026000 (Mounting box)
Material	Chrome Plated
Country of Origin	Mexico
Manufacturer	GROHE Limited
Supplier	Acme Sanitary Ware Co. Ltd Mr. Eric Wong/ Mr. Wilson Hung
Contact Tel/Fax	(852) 2388-7171 / (852) 2710-8012
E-mail	acme@acmesanitary.com.hk
Website	www.acmesanitary.com.hk

Illustration/ Drawing

Technical Drawing Dimensions:

- Top view diameter: $\text{Ø}6\frac{11}{16}"$ (170)
- Top view height: $7\frac{1}{4}"$ (185)
- Side view height: $3\frac{1}{2}" - 4\frac{11}{16}"$ (89-119)
- Side view depth: $7\frac{1}{16}"$ (12)
- Bottom view diameter: $6\frac{11}{16}"$ (170)
- Bottom view width: $2\frac{3}{4}"$ (70)
- Bottom view height: $5\frac{13}{16}"$ (148)
- Bottom view offset: $4\frac{5}{8}"$ (117)
- Bottom view offset: $5"$ (127)
- Bottom view offset: $3\frac{1}{16}"$ (78)
- Bottom view offset: $5\frac{3}{16}"$ (132)
- Bottom view offset: $5\frac{3}{4}"$ (146)
- Bottom view offset: $1\frac{1}{2}"$ NPT-MIP
- Bottom view offset: $1\frac{1}{2}"$ NPT-MIP
- Bottom view offset: $1\frac{1}{2}"$ NPT-MIP
- Bottom view offset: $1\frac{1}{2}"$ NPT-MIP
- Bottom view offset: $3\frac{1}{2}" - 4\frac{5}{16}"$ (80-110)
- Bottom view offset: $\frac{1}{4}" - 1\frac{7}{16}"$ (6-36)

<p>GrohFlex Essence Dual function thermostatic trim with control module for shower/tubs with non-diverter tub spout or for 2 shower outlet applications GROHE TurboStat technology integrated volume control 2-way diverter function 1 axis operation for use with GrohFlex universal rough-In box 35 026 000 sold separately GROHE StarLight chrome finish</p>	<ul style="list-style-type: none"> • 1/2" inlets and outlets • Fixing points for front and back wall • Leakproof housing • Integrated service stops • Removable protection cover with installation information • Flushing plug • For use with the GrohFlex Bathroom Solution Kits (sold separately): • Pressure Balance Valves and Thermostats • Single Function, Dual Function or Custom Shower
--	---

<p>Colour options:</p> <ul style="list-style-type: none"> ● 001 StarLight Chrome ● DC1 SuperSteel ● DA1 Warm Sunset ● A01 Hard Graphite ● AL1 Brushed Hard Graphite 	<ul style="list-style-type: none"> ● GL1 Cool Sunrise ● GN1 Brushed Cool Sunrise ● DL1 Brushed Warm Sunset ● BE1 Polished Nickel ● EN1 Brushed Nickel
---	--

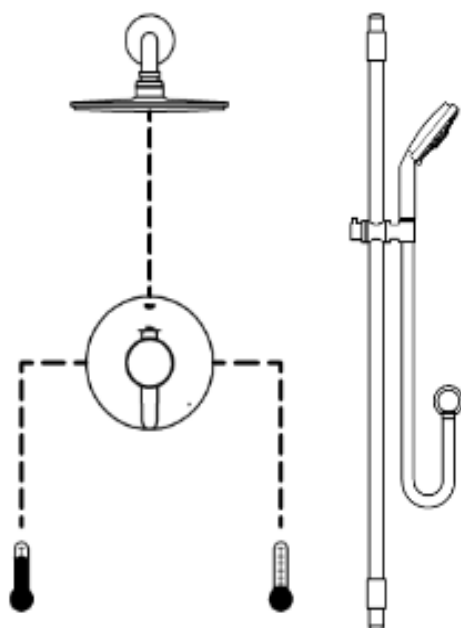
Note:

* All information of the above is for the reference only. No prior notice is made if any changes.

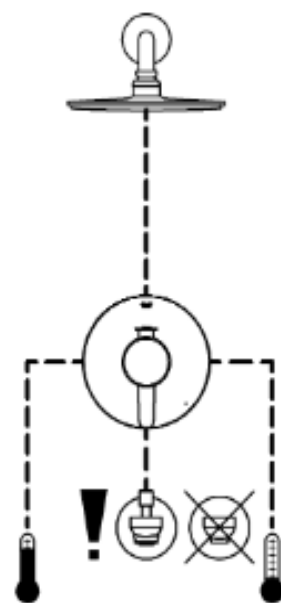
Installation options with different types of trims

Thermostat trim type #1 (single use)

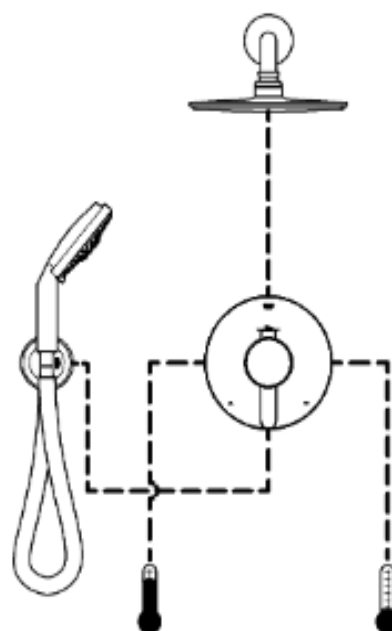
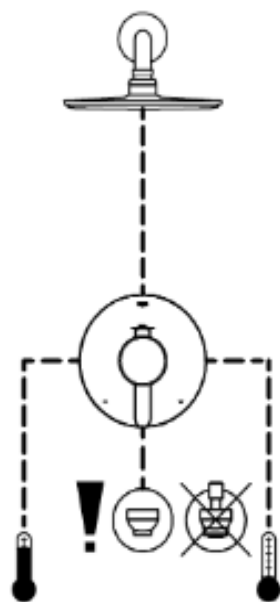
without bypass use



with use of integrated bypass



Thermostat trim type #2 (integrated two way diverter)



Please pass these instructions on to the end user of the fitting!

English

Temperature limitation

When in proper calibration, the temperature range is limited to 43 °C or 110 °F. There is a first safety stop at 38 °C or 100 °F. If a higher temperature is desired, one can exceed 38 °C or 100 °F by overriding the safety stop. Press the safety stop button (E).

Type #2, see Fig. [10b].

Turn handle (F) left or right:

- Select hot or cold water flow.

Operation

Type #1, see Fig. [10a].

Turn handle (F) left or right:

- Select hot or cold water flow.

Turn lever (B) to the right:

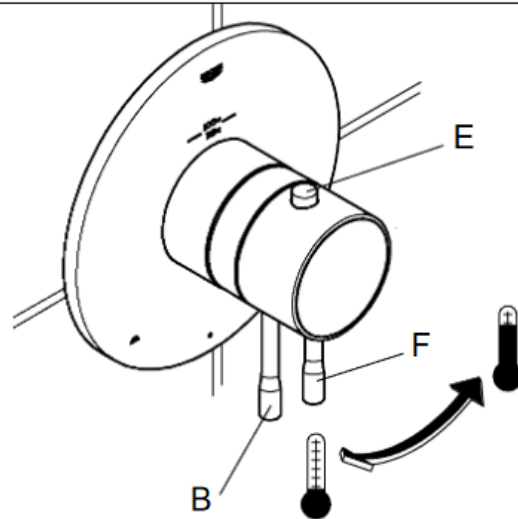
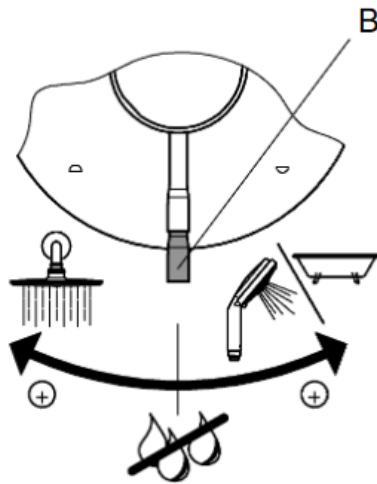
- Open water outlet as pipeline installation is prepared.
- If a spout with diverter is installed, outlet to bath and shower is possible.

Turn lever (B) left or right:

Open water outlet as pipeline installation is prepared.

- left open to top outlet
- right open to bottom outlet

10b Type #2 19 988



Application

GrohFlex™ is a universal rough-in valve for thermostats and Pressure Balance Valves. Type of use is specified by different types of trims. To plan the piping, choose type of installation on Pages 1 and 2.

The Concealed System can be used in conjunction with:

- Pressurised storage heaters
- Thermally controlled instantaneous heaters
- Hydraulically controlled instantaneous heaters

Operation with unpressurised storage heaters (displacement water heaters) is **not** possible.

Specification

- Integral service stops
- Flow pressure:
 - min 20 psi
 - recommended 20 – 72.5 psi
- greater than 72.5 psi, fit pressure reducing valve
- Max. operating pressure 125 psi
- Max. test pressure 500 psi
- Temperature
 - max. (hot water inlet) 180 °F
- Water connection:
 - cold - RH
 - hot - LH

Installation

Refer to the dimensional drawing on the front page.

Prepare the holes for the rough-in and slots for the pipes.

For different installation options, see the pre-drilled holes in Fig. [1] and [2] on Page 3 and on the front page.

For mounting

- on the wall use back holes, see Fig. [1].
- on plasterboards wall use front holes, see Fig. [2].

Align the valve

Place a spirit level on the tabs of the fitting template (blue box), see Fig. [1].

Install the rough-in using the fitting template (blue box)

- The finished surface of the wall must lie within the area (A) of the fitting template (blue box), see Fig. [3] and [4].
- The hot water supply must be connected on the left and the cold water supply on the right, see Fig. [3].

Connect the pipes, see Figs. [3] and [4].

Check the installation options.

For possible combinations, see Pages 1 and 2.

A soldered connection is not available.

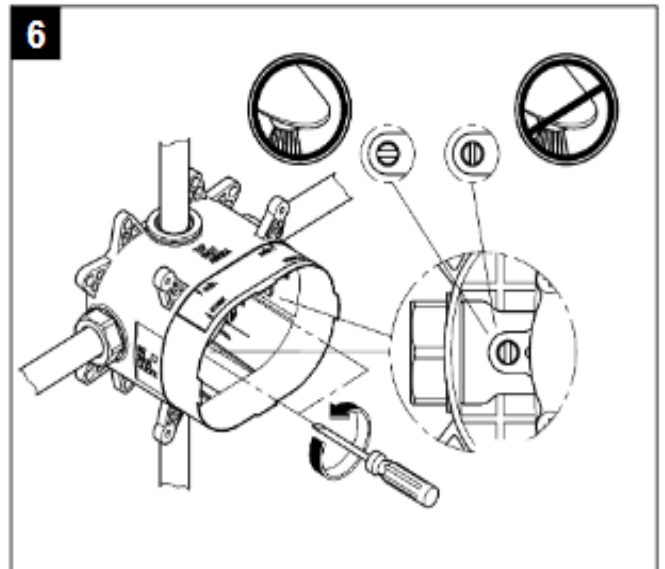
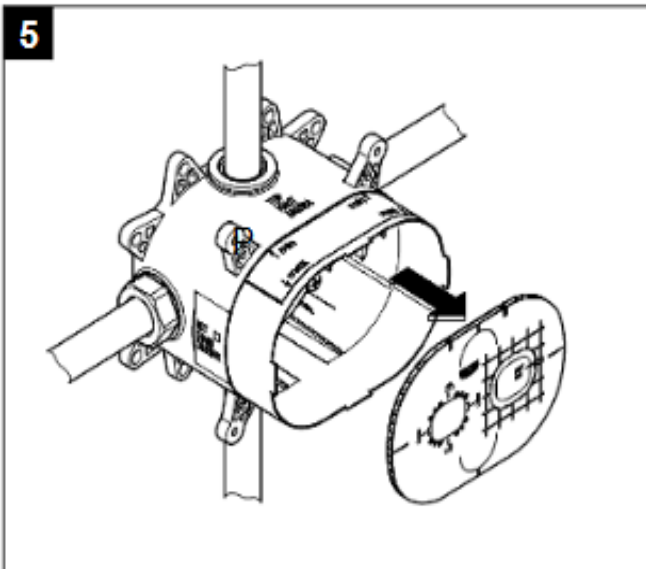
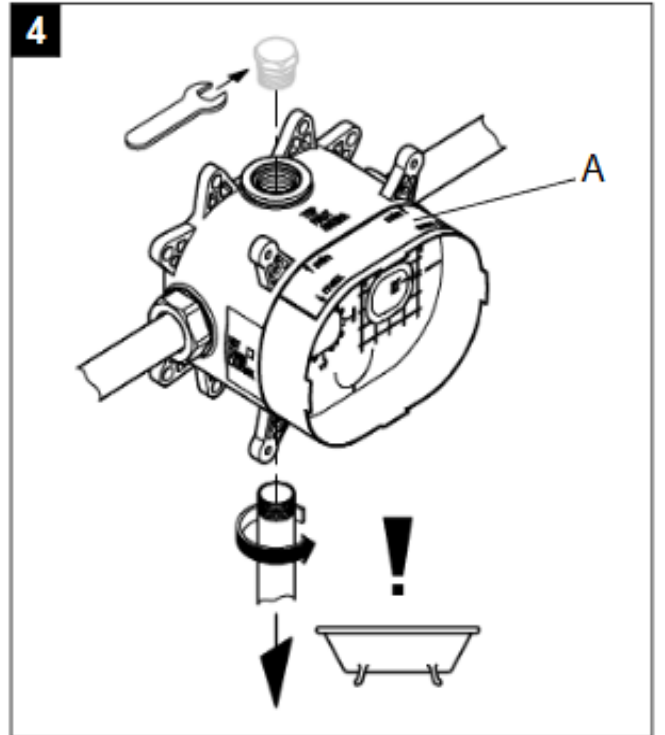
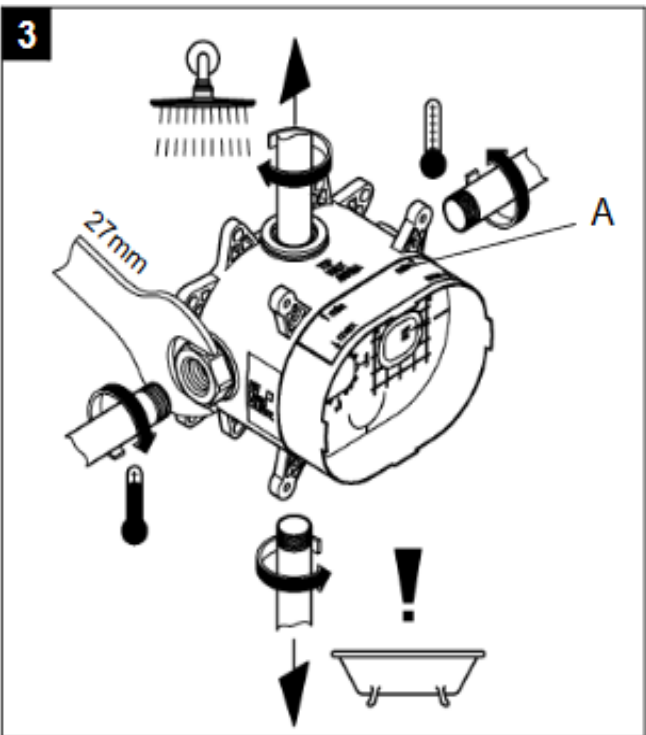
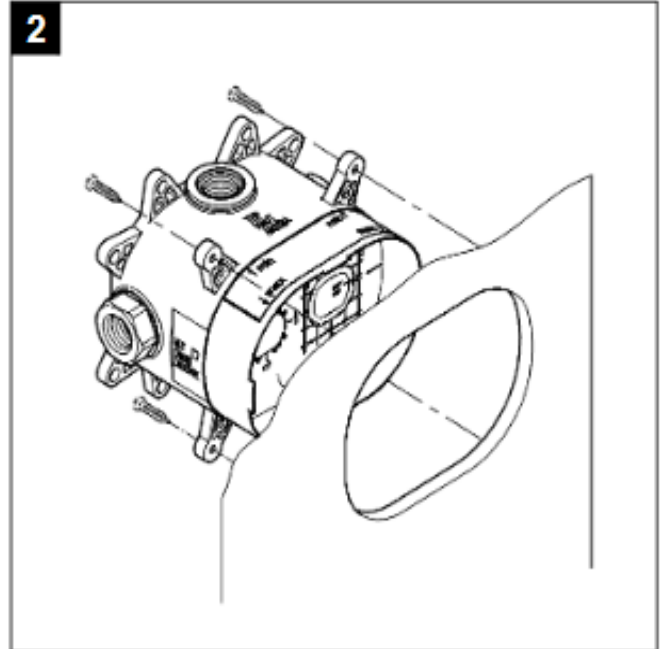
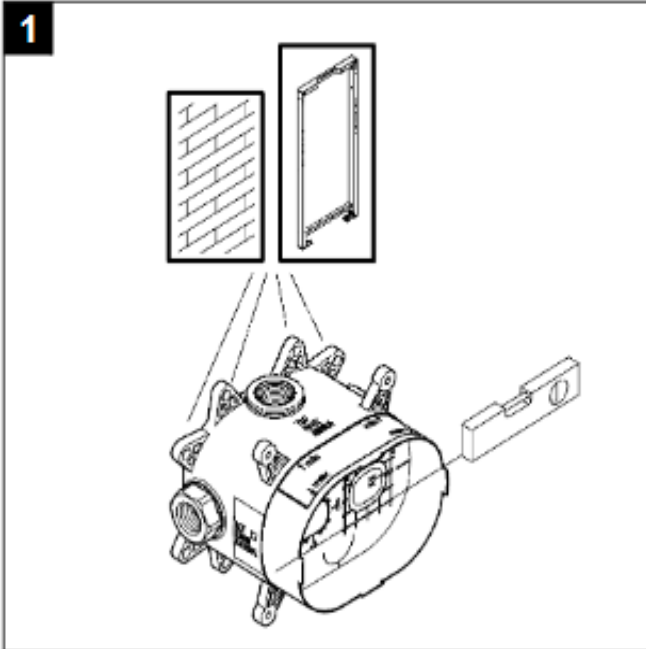
Open the cold and hot water supply and check the fitting connections for leakage.

Flush the pipes thoroughly, see Figs. [5] and [6].

1. Remove the cover, see Fig. [5].
2. Open the hot and cold water supply. This rough-in is combined with integrated service stops for opening and closing, see Fig. [6]. Flush the pipes thoroughly.

Plaster and tile the wall

Do **not** cut the fitting template (blue box) before final installation.





水務署
Water Supplies Department



總部 Headquarters
香港灣仔告士打道七號八樓
48/F, Immigration Tower, 7 Gloucester Road, Wan Chai, Hong Kong

本署檔號 : (3) in WSD 3321/19 Pt.1 T/J(132)
Our ref.
來函檔號 :
Your ref.


電話 :
Tel.
傳真 : 2824 0578
Fax.

1 March 2019

**Approval of "GROHE" Thermostatic Mixing Valve
(General Acceptance No. C20190160)**

Your letter ref. WRC/2030 dated 28 January 2019 refers.

Having considered the test report ref. J23649 issued on 17 December 2018 by Nutek Systems (HK) Ltd., this Authority accepts that the fitting described below complies with, and its use when correctly installed does not contravene, the Waterworks Ordinance and Regulations.

Name of Manufacturer: Grohe AG
Country of Origin: Mexico
Brand: Grohe
Details of Fitting: 1/2" Concealed thermostatic mixing valve
Model: 35026000 + 19988XX1
(where the digits "XX" denote the code of colour)
Body Markings: 
Expiry Date: 11 November 2023



This Authority hereby permits the use of the above fitting in fresh water plumbing systems subject to full adherence to Waterworks installation requirements. In particular, you are required to draw your customers' attention to the following requirement-

“The cold water supply to the fitting shall be drawn from the same source that supplies the hot water apparatus so as to provide a balanced pressure and to obviate the risk of scalding in the event of a restriction or failure in the water supply.”

A condition of this acceptance is that the fitting to be installed shall be replicas of the sample as certified by the testing agent mentioned above and without modifications. This acceptance may be withdrawn at any time if the standard of the fitting installed fails to meet that of the approved sample or if the fitting is found to be unsuitable for use in fresh water plumbing systems.

This acceptance is only applicable to the main body of the fitting, unless other specified.

For the use of the fitting in any project, the General Acceptance Number of this letter must be quoted as a means of identification of acceptance of the fitting by this Authority.

Should you have any enquiries, please contact our Engineer Mr. Terry KUNG at tel. no. 3583 4086.

Yours faithfully,



(CHAN Chung-kun)

for Director of Water Supplies

Encl.

c.c. WSD 3321/1/82] - without catalogue
 ME/MC] - with soft copy only